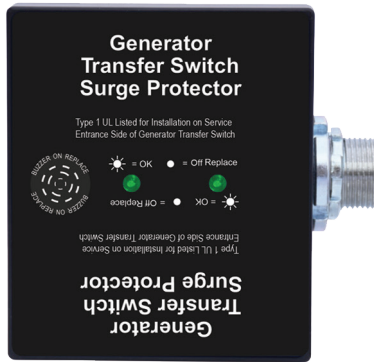
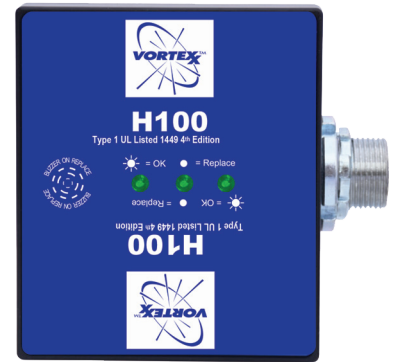




HC1C100-06N
Single-Phase
General Purpose SPD



HGEN100-06N
Single-Phase
Gen. Transfer Switch SPD



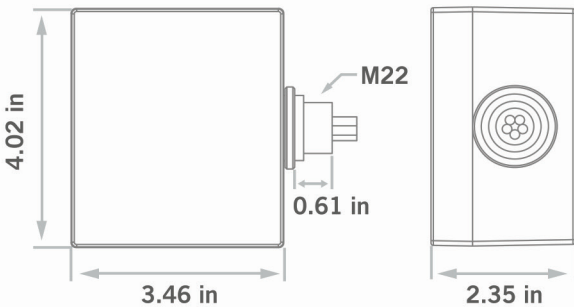
HCxC100-06N
Three-Phase
Commercial/Residential SPD

Features

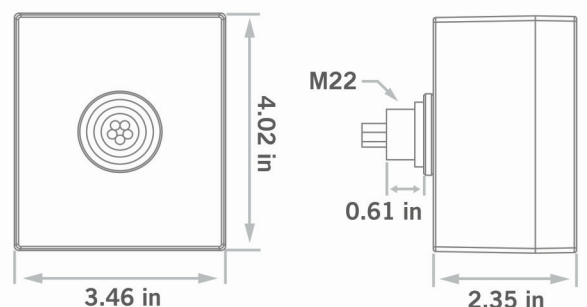
- UL 1449 4th Edition Type 1 listed
- I_{max}: 100 kA per phase
- Thermally fused Metal Oxide Varistor suppression with Gas-Tube technology
- Real-time per phase LED indicators and audible alarm
- NEMA 6 (IP66) indoor/outdoor rated enclosure
- In: 20 kA
- Short Circuit Current Rating (SCCR) 150 kAIC
- Lead Length: 24" / #12 AWG
- Meets UL 96A Lightning Protection Master Label
- Designed to allow installation inside of electrical panel
- Lifetime Warranty - single phase / 25 Year Warranty - three phase

Dimensions

Version A - Standard



Version B - Custom Order



1/2" NPT adapter included



Part Number Breakdown

Hxxx100-06N-x

● Add on options: F=Flush Mount Cover

● Voltage Identifier: C1C=120/240 single phase, GEN=120/240 single phase, C2C=120/208 3-phase Wye, C4C=277/480 3-phase Wye, C5C=480 3-phase Delta, C6C=347/600 3-Phase Wye, C7C=600 3-Phase Delta, C9C=240 3-Phase Delta

Specifications

Description			HC1C100-06N	HGEN100-06N	HC2C100-06N	HC4C100-06N	HC5C100-06N	HC6C100-06N	HC7C100-06N	HC9C100-06N
System Voltage	VAC		120/240	120/240	120/208	277/480	480	347/600	600	240
System Wiring			3W+G (Single Phase)	3W+G (Single Phase)	4W+G (3-Phase Wye)	4W+G (3-Phase Wye)	3W+G (3-Phase Delta)	4W+G (3-Phase Wye)	3W+G (3-Phase Delta)	3W+G (3-Phase Delta)
Maximum Operating Voltage	MCOV (V)	L - N	140	140	140	320		550		
		N - G	120	120	120	240		550		
		L - G	140	140	140	320	550	550	750	275
		L - L	280	280	280	550	550	750	750	275
Voltage Protection Rating	VPR (V)	L - N	700	700	700	1200		1800		
		N - G	1200	1200	1200	1200		1800		
		L - G	1200	1200	1200	1500	1500	1800	2000	1500
		L - L	1200	1200	1200	2500	2500	1800	2000	2000
Operating Current	Ic		<10 mA	<10 mA	<10 mA	<10 mA	<30 mA	<10 mA	<30 mA	<30 mA
Follow Current	If						None			
Maximum Leakage Current	Ipe						1 mA			
Maximum Recommended Fuse if any	Rating						200 A, Class J			
Frequency	f						50/60/400 Hz			
Nominal Discharge Current per mode	In (8/20 μs)						20 kA			
Maximum Discharge Current per phase	I _{max} (8/20 μs)						100 kA			
Short Circuit Current Rating	SCCR						150 kA			
Standard's Compliance or Recognition							UL 1449 4th Edition Type 1 listed, cUL listed			
EMI/RFI Filtering							1283 Electromagnetic Interference Filter (-40 dB)			
Thermal Disconnecter							Internal to each Component			
Overload Disconnecter							Internal to each Device			
Failure Indicators							LED & Audible Alarm			
Operating Temperature							-40 to +185°F (-40 to +85°C)			
Housing-Enclosure Material							Cast Aluminum			
Mounting Type							Nipple Mount			
Environmental Rating							NEMA 6, IP65, IP66			
Installation Location							Indoor/Outdoor			