

120 VAC



VA1S-050-4XP

240-277 VAC



VA4S-050-4XP

480 VAC

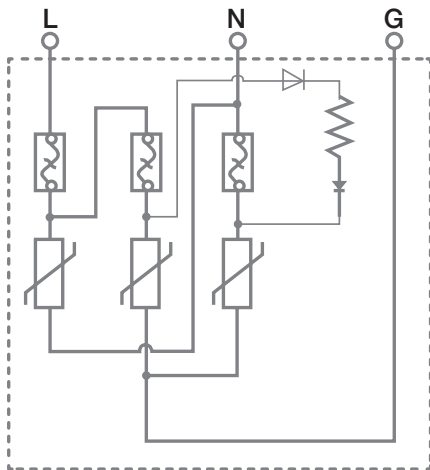


VA5S-050-4XP

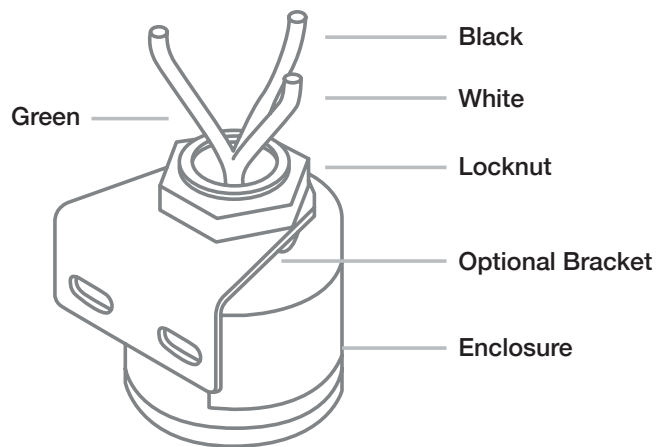
Features

- Small footprint
- Nipple mount or bracket mount installation
- I_{max}: 50 kA
- In: 10 kA
- SCCR: 100kAIC
- Thermally fused Metal Oxide Varistor suppression
- UL recognized component
- NEMA 4X indoor/outdoor enclosure
- LED diagnostic indicator
- 25 Year Warranty




Component Layout



Wiring Layout



Specifications

	VA1S-050-4XP	VA4S-050-4XP	VA5S-050-4XP
System Voltage	120 VAC	240-277 VAC	480 VAC
Maximum Continuous Voltage (MCOV)	150 VAC L-G, L-N, N-G	320 VAC L-G, L-N, N-G	550 VAC L-G, L-N, N-G
Nominal Discharge Current (In)	10 kA	10 kA	10 kA
Maximum Discharge Current (Imax)	50 kA	50 kA	50 kA
Voltage Protection Rating (VPR)	800 VAC	1200 VAC	1500 VAC
Short Circuit Current Rating (SCCR)	100kAIC	100kAIC	100kAIC
Suppression Technology	Thermally Fused MOV	Thermally Fused MOV	Thermally Fused MOV
Operating Temperature °C	-40 - +185°F (-40 - +85°C)	-40 - +185°F (-40 - +85°C)	-40 - +185°F (-40 - +85°C)
Enclosure Type	NEMA 4X / IP65 - Indoor/Outdoor	NEMA 4X / IP65 - Indoor/Outdoor	NEMA 4X / IP65 - Indoor/Outdoor
Connection Type	Lead Length: 15" / #14 AWG	Lead Length: 15" / #14 AWG	Lead Length: 15" / #14 AWG
Standards			
Warranty	25 Years	25 Years	25 Years

Dimensions

