

Generator Control Circuit Surge Protector



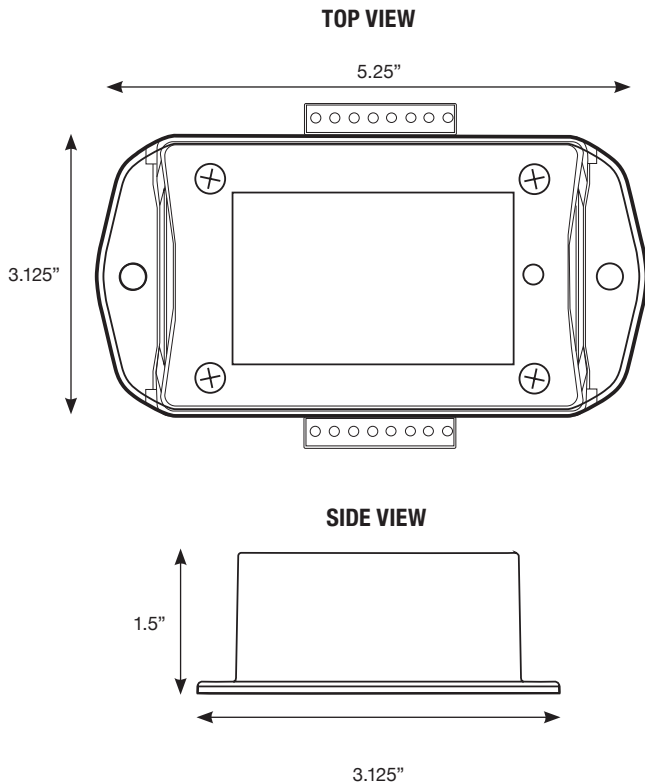
Overview

This device provides 25,000 surge amps of protection per mode for 120 Volt lines to control board and 12 Volt DC (+) / (-) lines potential neutral to ground transients. The diagnostic LED indicated all modes of surge protection are functioning.

Features

- Protects generator control circuits from damaging electrical surges and transients
- Protects utility sense lines
- Protects utility 120 Volt charge circuit
- Protects neutral line
- Protects 12 Volt DC line (+)
- Protects 12 Volt DC line (-)
- Protects transfer signal control lines
- Diagnostic LED monitors protection
- Meets 8/20 kA UL 1449 5th edition
- Warranty: 5 years from installation date

Dimensions



Specifications (Ground Connection)

Neutral

| | |
|------------------|-------------|
| MCOV | 150 Volts |
| I _{max} | 25,000 Amps |

120 Volts

| | |
|------------------|-------------|
| MCOV | 150 Volts |
| I _{max} | 25,000 Amps |

120 Volts

| | |
|------------------|-------------|
| MCOV | 150 Volts |
| I _{max} | 25,000 Amps |

120 Volts

| | |
|------------------|-------------|
| MCOV | 150 Volts |
| I _{max} | 25,000 Amps |

120 Volts

| | |
|------------------|-------------|
| MCOV | 18 Volts DC |
| I _{max} | 25,000 Amps |

120 Volts

| | |
|------------------|-------------|
| MCOV | 18 Volts DC |
| I _{max} | 25,000 Amps |