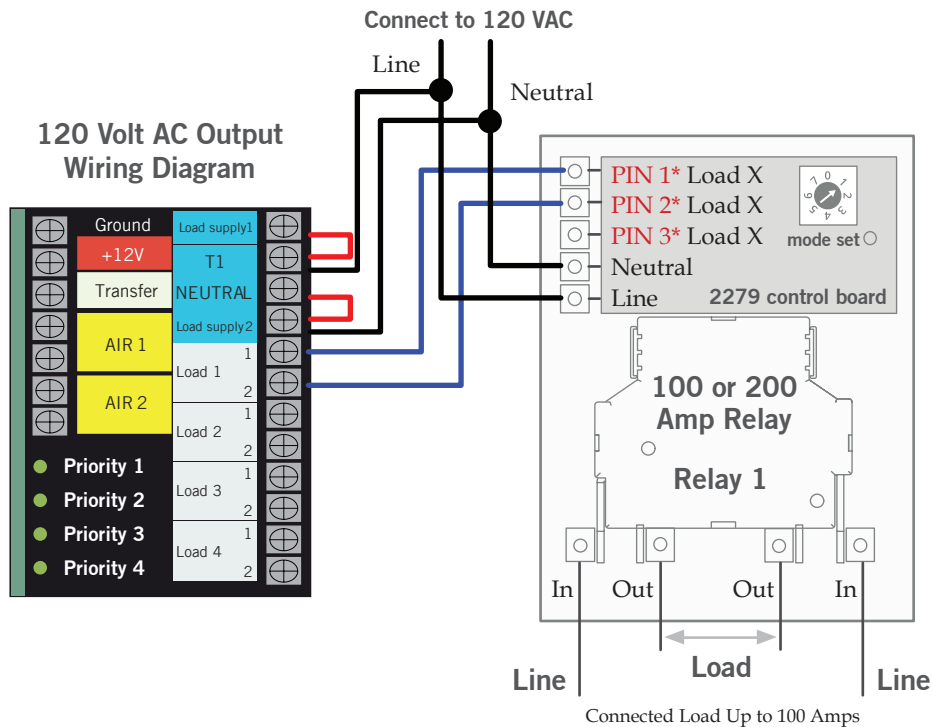


Wiring Configuration for Single Phase Magnetic Relays with GENERAC® older boards

IMPORTANT:
Magnetic Relays require power to change state.
There is also a delay of 20 seconds between cycles.

*IMPORTANT: Wiring pin to pin must match exact diagram below or damage to control board will occur.



Start Up & Testing Control

When power is initially connected to the 120 VAC input terminals the diagnostic LED's will blink for 20 seconds and the relay's will change state based on the condition of the Input of Pin 1 control board.

- Input Voltage Hi 120/24 VAC - Relay(s) Closed
- Input Voltage 0 - Relays Open

The relay will remain in position state until the the input voltage changes. The relays will also open when 120 Volt Supply is lost.

**Input Voltage on Pin's 1 of Load 1 & 2
may be either 120 or 24 Volts AC**

