

LS101X1BX and LS201X1BX Version A Diagram

Wiring Configuration for controlling Single Phase Magnetic Relay Models

IMPORTANT: Magnetic Relays require power to change state. There is a 5 minute delay before the relay can be toggled to the on state after being switched off or after a power failure.

Fig 1.

Load Dropping using utility sense voltage for the control signal. Relay will restore power 5 minutes after utility voltage is restored.

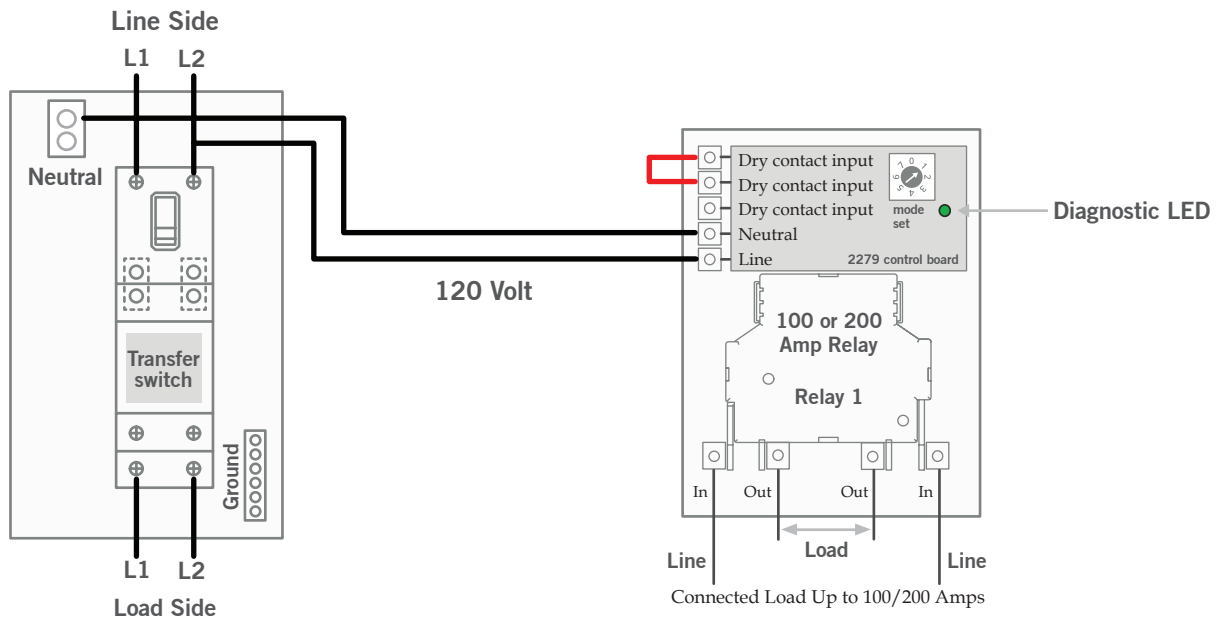
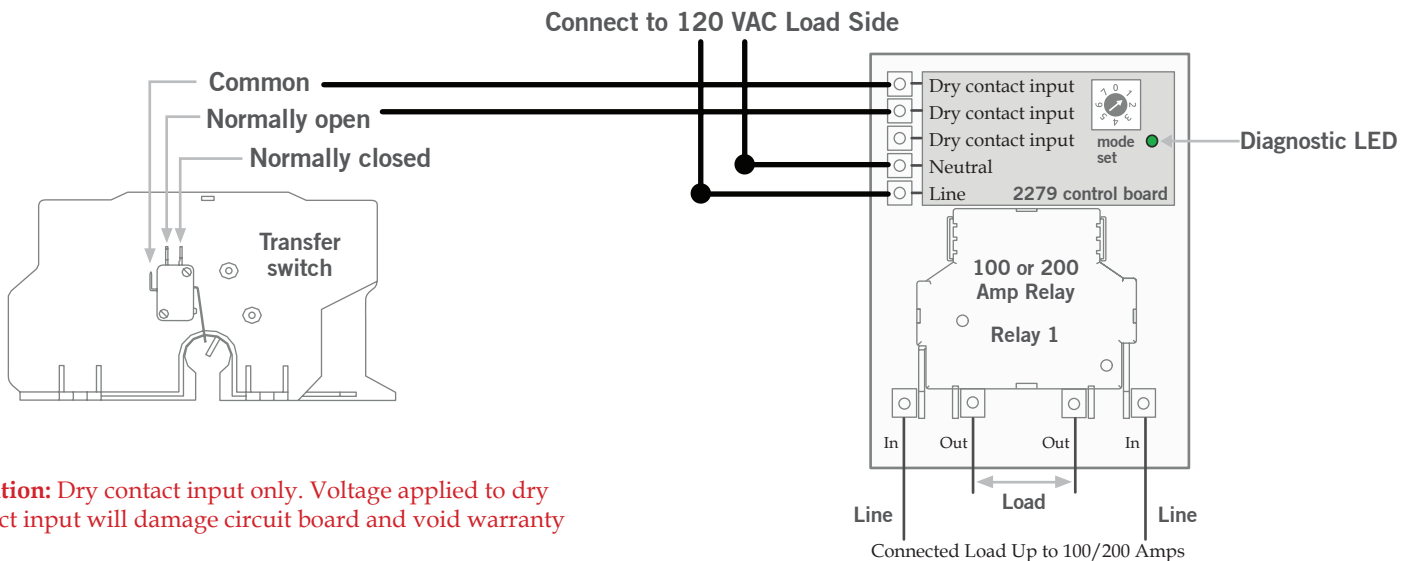


Fig 2.

Load Dropping using transfer switch dry contacts. Relay will restore power 5 minutes after generator transfers back to utility.



Caution: Dry contact input only. Voltage applied to dry contact input will damage circuit board and void warranty

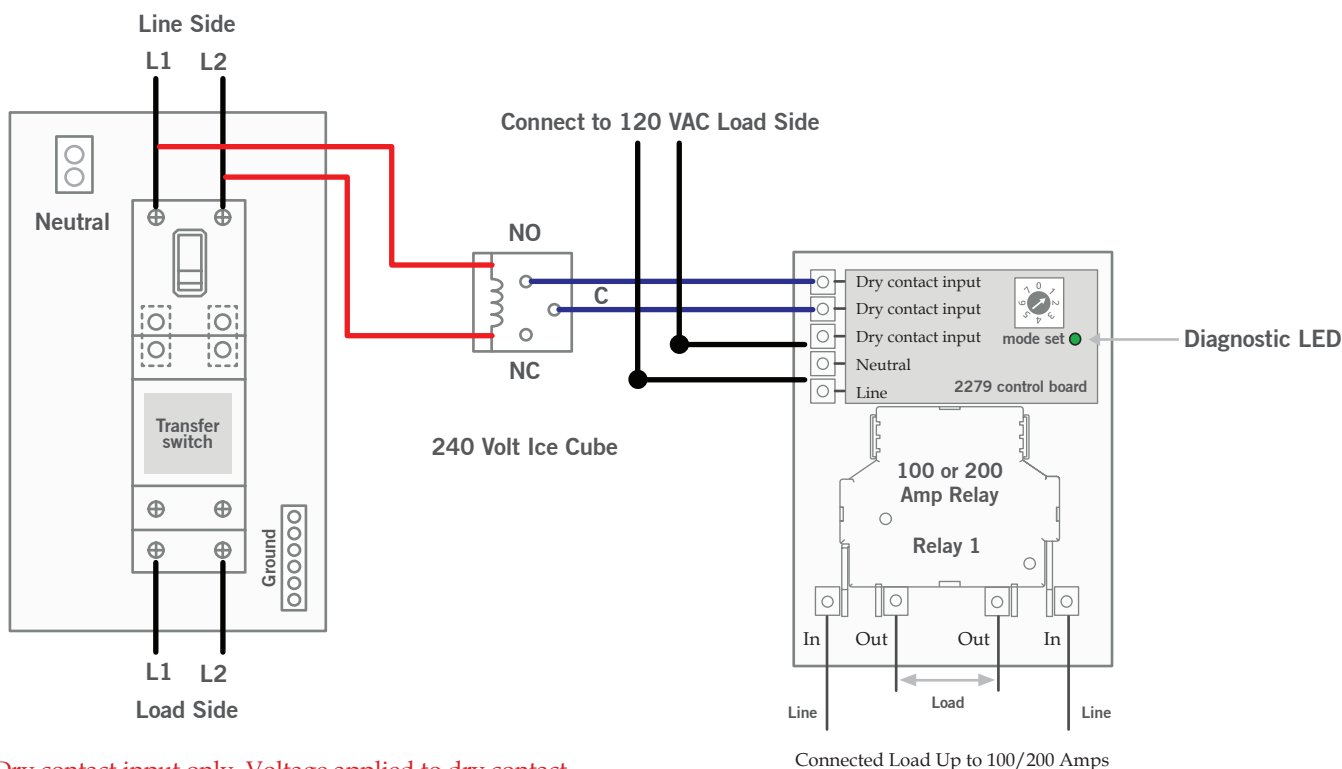
LS101X1BX and LS201X1BX Version A Diagram

Wiring Configuration for controlling Single Phase Magnetic Relay Models

IMPORTANT: Magnetic Relays require power to change state. There is a 5 minute delay before the relay can be toggled to the on state after being switched off or after a power failure.

Fig 3.

Load Dropping using utility sense voltage to drive ice cube relay. Relay will restore power 5 minutes after utility voltage is restored.



Caution: Dry contact input only. Voltage applied to dry contact input will damage circuit board and void warranty

Start Up & Testing Dry Contact Control

When power is initially connected to the 120 Vac input terminals the diagnostic LED will blink for 20 seconds and the relay will change state based on input.

Function Table

Control Input OPEN = Relay(s) CLOSED

Control input CLOSED = Relay(s) OPEN

The relay will remain in selected state until the input condition changes or the 120 AC voltage is removed.