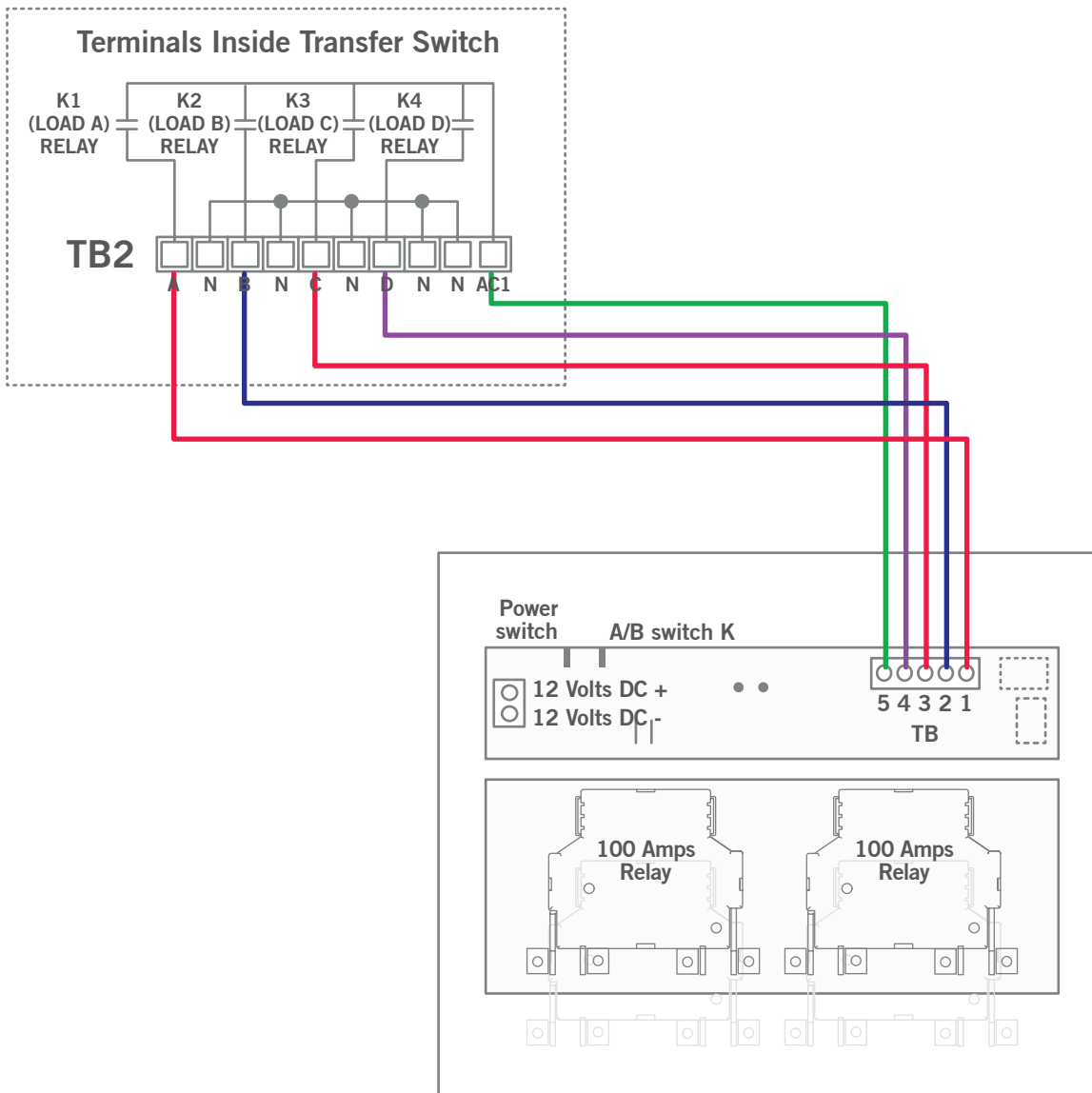


## NEW On Board RXT Load Shedding Controller

### Magnetic Relay Load Shedding Controller wiring diagram

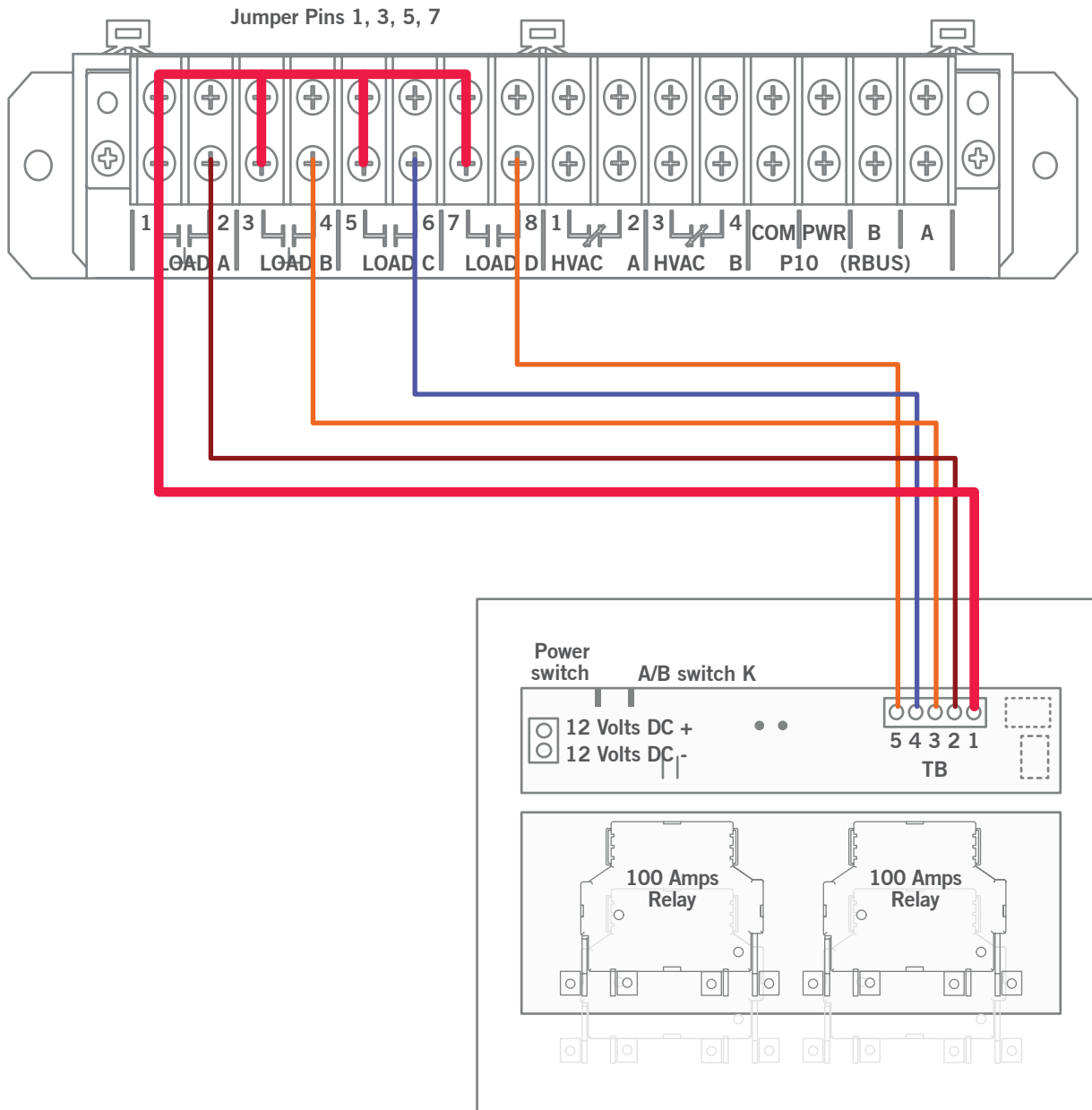
**NOTE:** When using this configuration no other devices can be connected to the outputs of A, B, C & D



Uses 12 Volt DC Output from pin 5 of the TB terminal block to energize the common terminals of loads A, B, C & D. The Load shedding module controls the loads by applying or removing 12 Volts DC to pins 1-4 on the TB terminal block

## Legacy Load Shedding Controller Module

### Magnetic Relay Load Shedding Controller wiring diagram



Uses 12 Volt DC Output from pin 5 of the TB terminal block to energize the common terminals of loads A, B, C & D by looping the common terminals. The load shedding module controls the loads by applying or removing 12 Volts DC to pins 1-4 on the TB terminal block