

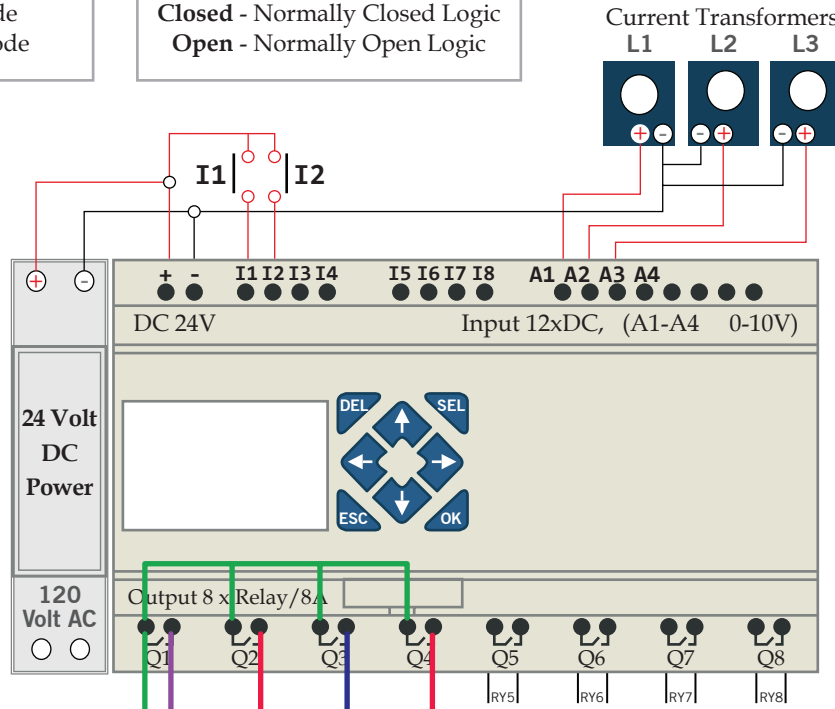
Wiring Configurations for LSC-08 Load Control Module

I1 Optional Connection

Closed - Utility Mode
Open - Generator Mode

I2 Optional Connection

Closed - Normally Closed Logic
Open - Normally Open Logic



Important:
Observe CT polarity or damage may occur to controller or CT.

120 VAC

Note:
Position Switch "K" to the "A" position for NO Operation

Caution: 12 Volts DC Only

12 Volts DC +
12 Volts DC -

