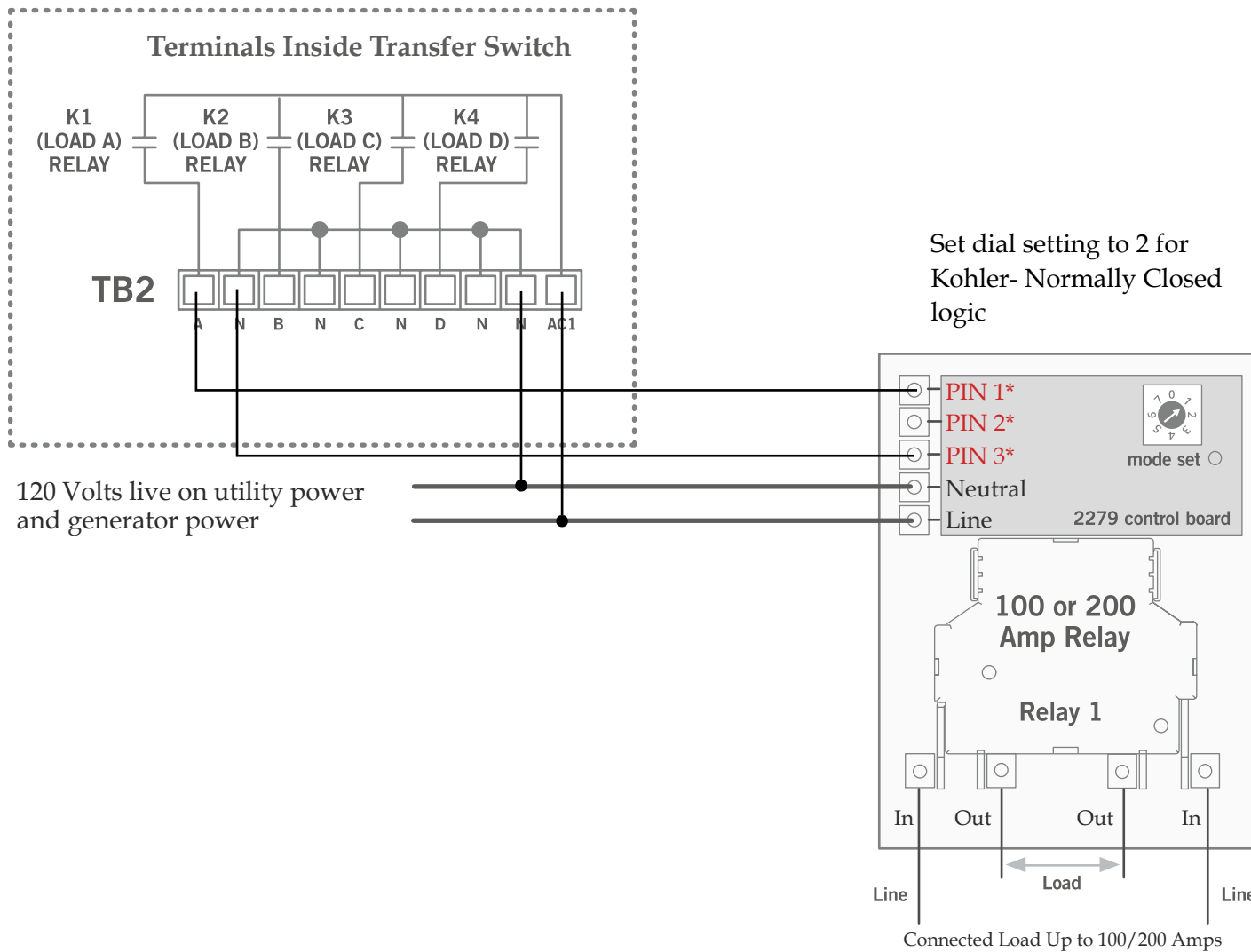


## LSx01X1BX Single Phase Magnetic Latching Relays

Magnetic Relay Load Shedding Controller wiring diagram for Kohler® RXT load shed board



### Start Up & Testing 120 VAC Contact Control

When power is initially connected to the 120 VAC input terminals the diagnostic LED will blink for 20 seconds and the relay will change state based on input.

#### Function Table

Control Input OPEN = Relay(s) CLOSED  
 Control input CLOSED = Relay(s) OPEN

The relay will remain in selected state until the input condition changes or the 120 AC voltage is removed.