



Nipple Mount Version



Flush Mount Version

Features

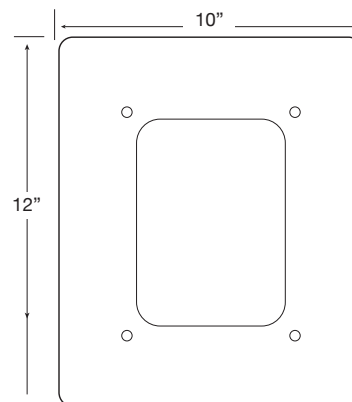
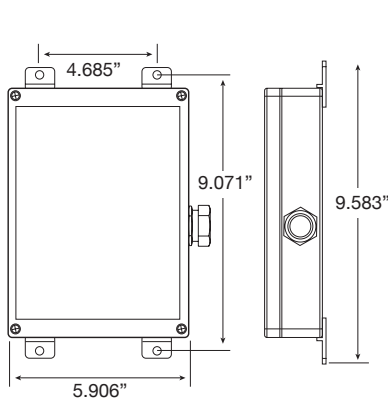
- UL/cUL 1449 5th edition type 1 listed
- I_{max}: 120-240 kA per phase
- Thermally fused metal oxide varistor suppression
- Real-time per phase LED indicators, remote contacts
- Sine wave tracking
- Short circuit current rating (SCCR) 200 kAIC
- Lead length: 40" / #10 AWG

- EMI/RFI noise filtration
- NEMA 4X plastic nipple mount enclosure
- 25 year warranty

Options

- NEMA 4X polycarbonate enclosure - hardwire version ONLY
- Flush Mount Cover - Item# VC-FMC

Dimensions



Flush Mount Cover

Part Number Breakdown

VCx-xxx-4XP-x

- Options Identifier: C= Remote Contacts
- Surge Rating Identifier: 120=120 kA/phase, 240=240 kA/phase
- Voltage Identifier: 1=120/240 single phase, 2=120/208 3-phase Wye, 3=120/120/240 3-phase Hi-Leg Delta, 4=277/480 3-phase Wye, 5=480 3-phase Delta, 6=347/600 3-phase Wye, 8=240/415 3-phase Wye, 9=240 3-phase Delta

Specifications

Description		VC1	VC2	VC3	VC4	VC5	VC6	VC8	VC9
System Voltage	VAC	120/240	120/208	120/120/240	277/480	480	347/600	240/415	240
System Wiring		3W+G (Single Phase)	4W+G (3-Phase Wye)	4W+G (3-Phase Hi-Leg Delta)	4W+G (3-Phase Wye)	3W+G (3-Phase Delta)	4W+G (3-Phase Wye)	4W+G (3-Phase Wye)	3W+G (3-Phase Delta)
Maximum Operating Voltage	MCOV	L - N	150	150	150/320	320	550	320	
		N - G	150	150	150/320	320	550	320	
		L - G	150	150	150	320	550	550	320
		L - L	300	300	300/470	640	550	1100	640
Voltage Protection Rating	VPR	L - N	700	700	700	1,200	1,800	1,200	
		N - G	700	700	700	1,000	1,800	1,000	
		L - G	700	700	700	1,000	1,800	1,800	1,000
		L - L	1,000	1,000	1,800	1,800	3,000	3,000	1,800
Operating Current	Ic	<10 mA	<10 mA	<30 mA	<10 mA	<30 mA	<10 mA	<10 mA	<30 mA
Follow Current	If	None							
Maximum Leakage Current	Ipe	1 mA							
Maximum Fuse Rating		200 A, Class J							
Frequency	f	50/60/400 Hz							
Nominal Discharge Current per Mode	In	20 kA							
Maximum Discharge Current	I _{max}	120 kA - 240kA per Phase							
Short Circuit Current Rating	SCCR	200 kA							
Standard Compliance		UL 1449 5th Edition Type 1 Listed, cUL Listed							
EMI/RFI Filtering		1283 Electromagnetic Interference Filter (-40 dB)							
Thermal Disconnect		Internal to Each Component							
Overload Disconnect		Internal to Each Device							
Failure Indicators		LED, Remote Signaling Contacts							
Operating Temperature		-40 to +185°F (-40 to +85°C)							
Housing-Enclosure Material		NEMA 4X Polymer							
Mounting Type		Nipple Mount or Wall Mounting by Screws (Not Included)							
Environmental Rating		NEMA 4X, IP65, IP66							
Installation Location		Indoor/Outdoor							