

## Features

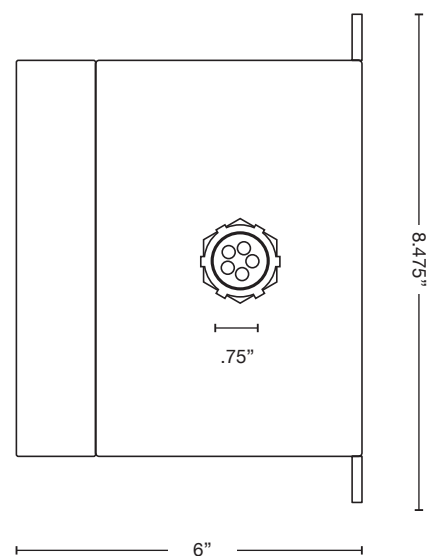
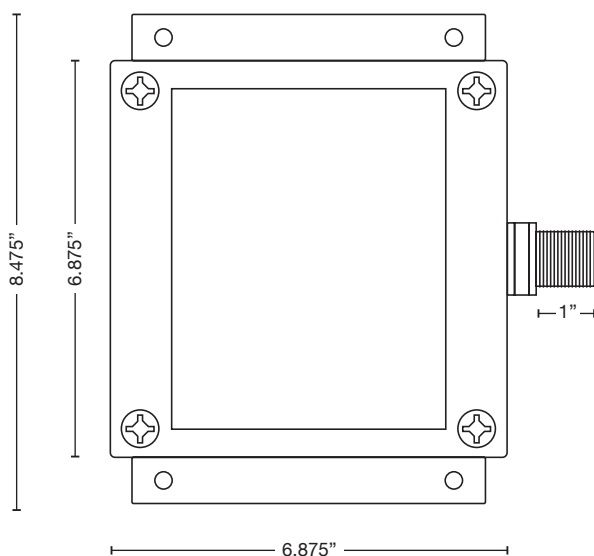
- UL 1449 5th edition Type 1 listed
- Maximum surge current (Imax): 120 or 240 kA per phase
- Nominal discharge current (In): 20 kA
- Thermally fused metal oxide varistor suppression with gas-tube technology
- Real-time per phase LED indicators, audible alarm, remote contacts and surge counter are standard
- Smart diagnostic, indicating remaining surge capacity
- Sine wave tracking
- Short circuit current rating (SCCR) 200 kAIC
- Lead length: 36" / #10 AWG
- EMI/RFI noise filtration
- NEMA 4X aluminum nipple mount enclosure standard
- 25 year warranty



## Options

- Flush mount cover - nipple mount version needs 6" wall depth ONLY

## Dimensions



### Part Number Breakdown

#### C3Hx-xxx-4XM

- **Surge Rating Identifier:** 120=120 kA/phase, 240=240 kA/phase
- **Voltage Identifier:** 1=120/240 single phase, 2=120/208 3-phase Wye, 3=120/120/240 3-phase Hi-Leg Delta, 4=277/480 3-phase Wye, 5=480 3-phase Delta, 6=347/600 3-phase Wye, 7=600 3-phase Delta, 8=220/380 3-phase Wye, 9=240 3-phase Delta

### Specifications

Description		C3H1-	C3H2-	C3H3-	C3H4-	C3H5-	C3H6-	C3H7-	C3H8-	C3H9-	
System Voltage	VAC	120/240	120/208	120/120/240	277/480	480	347/600	600	220/380	240	
System Wiring		3W+G (Single Phase)	4W+G (3-Phase Wye)	4W+G (3-Phase Hi-Leg Delta)	4W+G (3-Phase Wye)	3W+G (3-Phase Delta)	4W+G (3-Phase Wye)	3W+G (3-Phase Delta)	4W+G (3-Phase Wye)	3W+G (3-Phase Delta)	
Maximum Operating Voltage	MCOV (V)	L-N	150	150	150/350	350		460		300	
		N-G	150	150	150	350		460		300	
		L-G	150	150	150/350	350	700	460	920	300	300
		L-L	300	300	300/450	700	700	920	920	600	300
Voltage Protection Rating	VPR (V)	L-N	700	700	700/1,200	1,200		1,500		900	
		N-G	800	800	800/1,200	1,500		1,500		1,200	
		L-G	800	800	800/1,200	1,200	1,800	1,500	2,500	1,200	1,200
		L-L	1,200	1,200	1,200/2,000	1,800	3,000	2,500	3,000	1,500	1,500
Operating Current	Ic	<10 mA	<10 mA	<30 mA	<10 mA	<30 mA	<10 mA	<30 mA	<10 mA	<30 mA	
Follow Current	If	None									
Maximum Leakage Current	Ipe	1 mA									
Frequency	f	50/60/400 Hz									
Nominal Discharge Current per Mode	In (8/20 μs)	20 kA									
Maximum Discharge Current per Phase	I <sub>max</sub> (8/20 μs)	120 kA, 240 kA (Depending on Model)									
Short Circuit Current Rating	SCCR	200 kA									
Standard's Compliance or Recognition		UL 1449 5th Edition Type 1 Listed, cUL Listed									
RFI Filtering		1283 Electromagnetic Interference Filter (-40 dB)									
Thermal Disconnecter		Internal to Each Component									
Overload Disconnecter		Internal to Each Device									
Failure Indicators		LED, Audible Alarm, Remote Signaling & Remaining Life Indicator									
Operating Temperature		-40 to +185°F (-40 to +85°C)									
Housing-Enclosure Material		Nipple Version: NEMA 4X Aluminum									
Mounting Type		Nipple Mount or Wall Mounting									
Environmental Rating		IP66									
NEMA Rating		NEMA 4/12, NEMA 4X									
Installation Location		Indoor/Outdoor									