



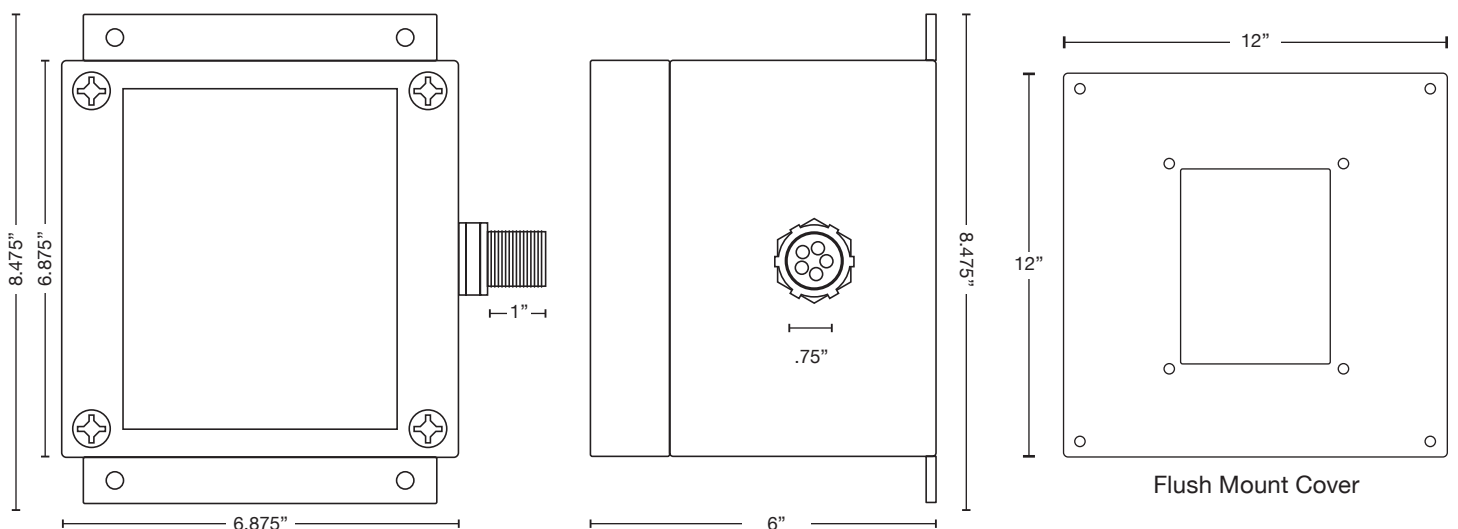
Features

- I_{max}: 120 or 240kA per phase
- I_n: 20kA
- Thermally fused metal oxide varistor (TFMOV) suppression with added gas discharge tube (GDT) technology
- Real-time per phase LED indicators, audible alarm, remote contacts and surge counter are standard
- Smart diagnostic, indicating remaining surge capacity
- Sine wave tracking
- EMI/RFI noise filtration (-40db)
- NEMA 4X (IP66) indoor/outdoor rated enclosure
- 25 year warranty



Add-On Items

- Flush Mount Cover (6" wall depth required) - Item# C3-FMC



Part Number Breakdown

C3H#-(###)-4XM

- **Surge Rating Identifier:** 120=120kA/phase, 240=240kA/phase
- **Voltage Identifier:** 1=120/240 1-phase, 2=120/208 3-phase Wye, 3=120/120/240 3-phase high-leg Delta, 4=277/480 3-phase Wye, 5=480 3-phase Delta, 6=347/600 3-phase Wye, 7=600 3-phase Delta, 8=220/380 3-phase Wye, 9=240 3-phase Delta

Description		C3H1	C3H2	C3H3	C3H4	C3H5	C3H6	C3H7	C3H8	C3H9
System Voltage	VAC	120/240	120/208	120/120/240	277/480	480	347/600	600	220/380	240
System Wiring		3W+G (1-Phase)	4W+G (3-Phase Wye)	4W+G (3-Phase High-Leg Delta)	4W+G (3-Phase Wye)	3W+G (3-Phase Delta)	4W+G (3-Phase Wye)	3W+G (3-Phase Delta)	4W+G (3-Phase Wye)	3W+G (3-Phase Delta)
Maximum Operating Voltage (MCOV)	L-N	150	150	150/350	350		460		300	
	N-G	150	150	150	350		460		300	
	L-G	150	150	150/350	350	700	460	920	300	300
	L-L	300	300	300/450	700	700	920	920	600	300
Voltage Protection Rating (VPR)	L-N	700	700	700/1,200	1,200		1,500		900	
	N-G	800	800	800/1,200	1,500		1,500		1,200	
	L-G	800	800	800/1,200	1,200	1,800	1,500	2,500	1,200	1,200
	L-L	1,200	1,200	1,200/2,000	1,800	3,000	2,500	3,000	1,500	1,500
Operating Current (Ic)		<10 mA	<10 mA	<30 mA	<10 mA	<30 mA	<10 mA	<30 mA	<10 mA	<30 mA
Follow Current (If)		None								
Maximum Leakage Current (Ipe)		1 mA								
Frequency (f)		50/60/400 Hz								
Nominal Discharge Current Per Mode (In)		20kA								
Maximum Discharge Current (Imax)		120kA, 240kA (Depending on Model)								
Short Circuit Current Rating (SCCR)		200kA								
EMI/RFI Filtering		1283 Electromagnetic Interference Filter (-40 dB)								
Thermal Disconnecter		Internal to Each Component								
Overload Disconnecter		Internal to Each Device								
Operating Temperature		-40 to +85°C								
Housing-Enclosure Material		NEMA 4X Aluminum								
Mounting Type		Nipple/Wall Mounting or Flush Mount (Cover Not Included)								
Environmental Rating		NEMA 4/12, NEMA 4X, IP66, Indoor/Outdoor								
Connection Type		Lead Length: 36" / #10 AWG								
Standards Compliance or Recognition		UL 1449 5th Edition Type 1 Listed, UL Listed to US and Canadian Safety Standards								