



Nipple Mount Version



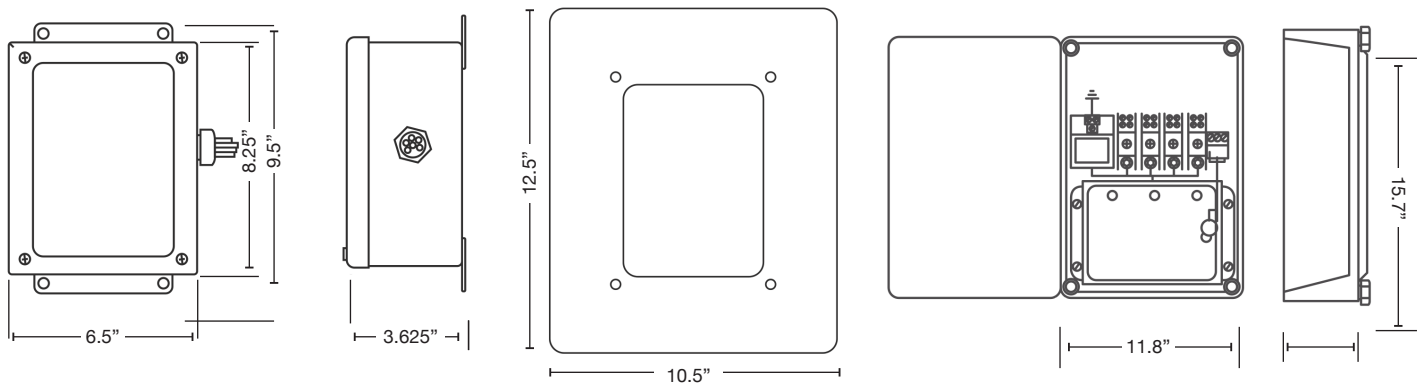
Hardwire Version

Features

- I_{max}: 200 to 400kA per phase
- I_n: 20kA
- Thermally fused metal oxide varistor (TFMOV) suppression plus added gas discharge tube (GDT) technology and capacitive filtering
- Real-time per phase LED indicators, audible alarm, remote contacts
- Smart diagnostic, indicating remaining surge capacity
- Sine wave tracking
- EMI/RFI noise filtration (-40db)
- NEMA 4/12/13 (IP66) indoor/outdoor rated enclosure
- 25 year warranty
- Made in the USA

Add-On Options

- Surge counter - available on ALL versions
- Integral disconnect - hardwire version ONLY
- NEMA 4X stainless steel
- Flush mount cover - Item# H4-FMC



Flush Mount Cover

Part Number Breakdown

H(#)C(#)00-(###)T1-(#)

- Add on options: **SC**=Surge Counter, **DS**=Rotary Disconnect, **30**= 30 year warranty
- **NEMA Rating/Mounting Type:** **04N**=NEMA 4/12/13 (with leads), **4XN**=NEMA 4X stainless (with leads), **4XH**=NEMA 4X polycarbonate (no leads)
- **Surge Rating Identifier:** **2**=200kA/phase, **3**=300kA/phase, **4**=400kA/phase
- **Voltage Identifier:** **1**=120/240 1-phase, **2**=120/208 3-phase Wye, **3**=120/120/240 3-phase high-Leg Delta, **4**=277/480 3-phase Wye, **5**=480 3-phase Delta, **6**=347/600 3-phase Wye, **8**=220/380 3-phase Wye, **9**=240 3-phase Delta

Description		H1C	H2C	H3C	H4C	H5C	H6C	H8C	H9C
System Voltage	VAC	120/240	120/208	120/120/240	277/480	480	347/600	220/380	240
System Wiring		3W+G (Single Phase)	4W+G (3-Phase Wye)	4W+G (3-Phase Hi-Leg Delta)	4W+G (3-Phase Wye)	3W+G (3-Phase Delta)	4W+G (3-Phase Wye)	4W+G (3-Phase Wye)	3W+G (3-Phase Delta)
Maximum Operating Voltage (MCOV)	L-N	150	150	150/320	320		550	275	
	N-G	150	150	150	320		550	275	
	L-G	150	150	150/320	320	550	550	275	275
	L-L	300	300	320	550	550	750	550	275
Voltage Protection Rating (VPR)	L-N	700	700	700/1,200	1,000		1,800	1,000	
	N-G	700	700	700/1,200	1,000		1,800	1,000	
	L-G	700	700	700/1,200	1,000	1,800	1,800	1,000	1,000
	L-L	1,000	1,000	1,000/3,000	1,800	3,000	3,000	1,800	1,800
Operating Current (Ic)		<10 mA	<10 mA	<30 mA	<10 mA	<30 mA	<10 mA	<10 mA	<30 mA
Follow Current (If)		None							
Maximum Leakage Current (Ipe)		1 mA							
Maximum Recommended Fuse if Any		200 A, Class J							
Frequency (f)		50/60/400 Hz							
Nominal Discharge Current Per Mode (In)		20kA							
Maximum Discharge Current (Imax)		200–400kA (Depending on Model)							
Short Circuit Current Rating (SCCR)		200kA							
EMI/RFI Filtering		1283 Electromagnetic Interference Filter (-40 dB)							
Thermal Disconnecter		Internal to Each Component							
Overload Disconnecter		Internal to Each Device							
Operating Temperature		-40 to +85°C							
Housing-Enclosure Material		Nipple Version: NEMA 4 Steel or NEMA 4X Stainless Steel, Hardwire Version: NEMA 4X Polycarbonate							
Mounting Type		Nipple Mount or Wall Mounting by Screws (Not Included)							
Environmental Rating		NEMA 4/12/13 Stainless Steel or NEMA 4X Polycarbonate, IP66, Indoor/Outdoor							
Connection Type		Lead Length: 30" / #10 AWG							
Standards, Compliance or Recognition		UL 1449 5th Edition Type 1 Listed, UL Listed to US and Canadian Safety Standards							