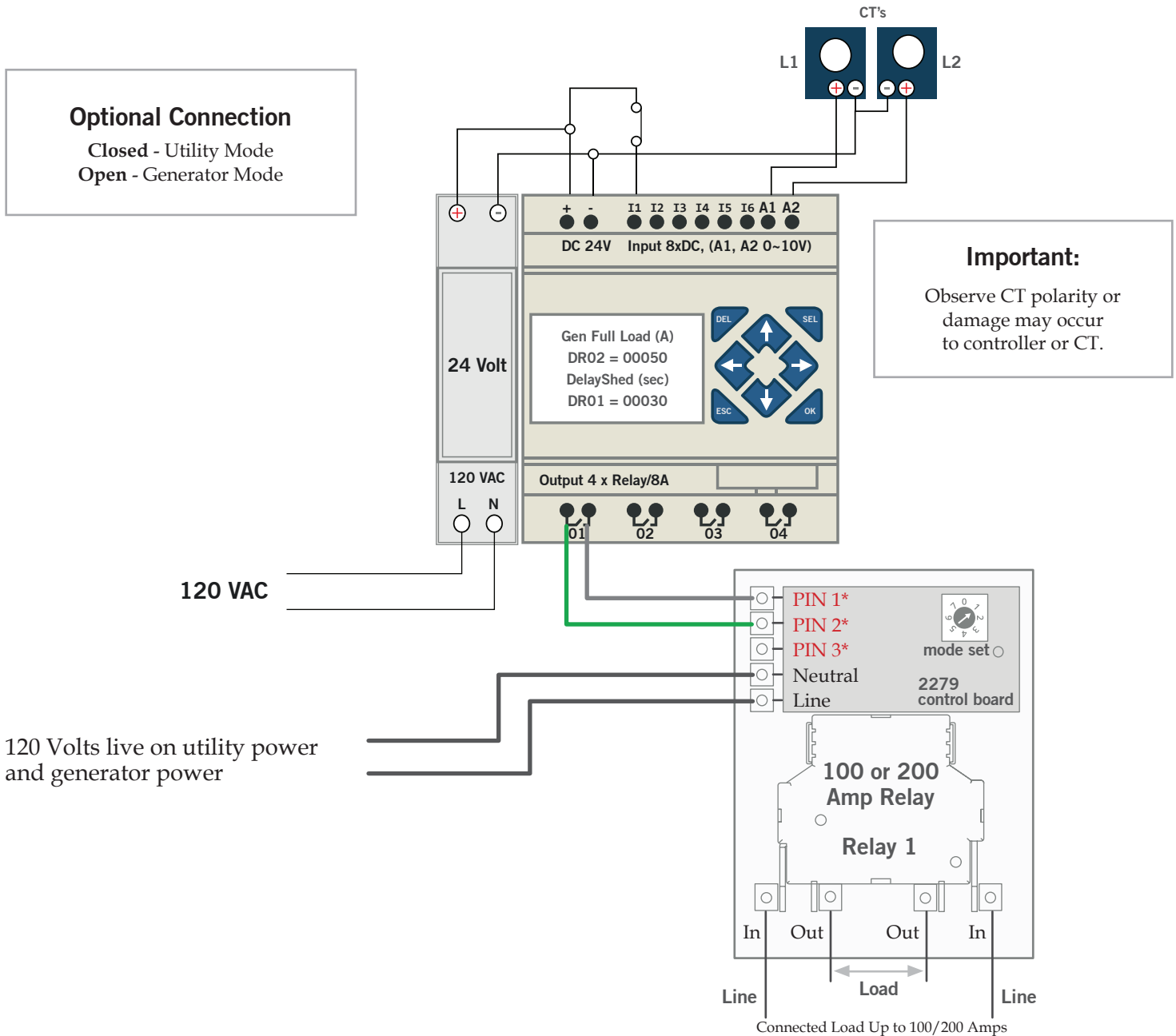


Wiring Configurations for LSC-04 Load Control Module

Single Phase 100 & 200 Amp Magnetic Latching Relay



Start Up & Testing Dry Contact Control

When power is initially connected to the 120 Vac input terminals the diagnostic LED will blink for 20 seconds and the relay will change state based on input.

Function Table

Control Input OPEN = Relay(s) CLOSED

Control input CLOSED = Relay(s) OPEN

The relay will remain in selected state until the input condition changes or the 120 AC voltage is removed.