



Nipple Mount Version



Flush Mount Version

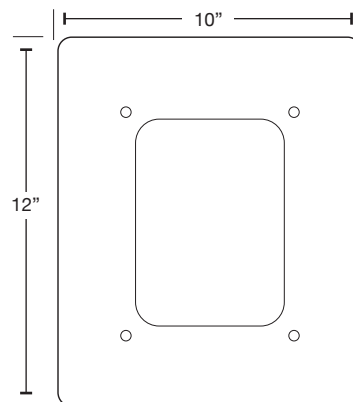
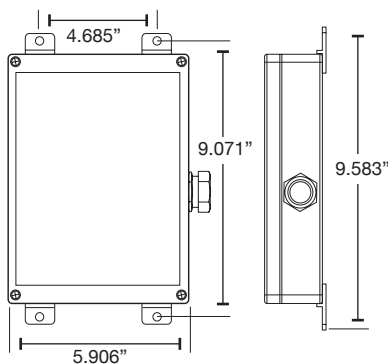
Features

- I_{max}: 120–240kA per phase
- I_n: 20kA
- Thermally fused metal oxide varistor (TFMOV) suppression
- Real-time per phase LED indicators
- Sine wave tracking
- EMI/RFI noise filtration (-40db)
- NEMA 4X (IP65/IP66) indoor/outdoor rated enclosure
- 25 year warranty
- Made in the USA



Add-On Items

- Flush Mount Cover - Item# VC-FMC



Flush Mount Cover

Part Number Breakdown

VC(#)-(###)-4XP

- **Surge Rating Identifier:** 120=120kA/phase, 240=240kA/phase
- **Voltage Identifier:** 1=120/240 1-phase, 2=120/208 3-phase Wye, 3=120/120/240 3-phase high-leg Delta, 4=277/480 3-phase Wye, 5=480 3-phase Delta, 6=347/600 3-phase Wye, 8=240/415 3-phase Wye, 9=240 3-phase Delta

Description		VC1	VC2	VC3	VC4	VC5	VC6	VC8	VC9
System Voltage	VAC	120/240	120/208	120/120/240	277/480	480	347/600	240/415	240
System Wiring		3W+G (1-Phase)	4W+G (3-Phase Wye)	4W+G (3-Phase High-Leg Delta)	4W+G (3-Phase Wye)	3W+G (3-Phase Delta)	4W+G (3-Phase Wye)	4W+G (3-Phase Wye)	3W+G (3-Phase Delta)
Maximum Operating Voltage (MCOV)	L - N	150	150	150/320	320		550	320	
	N - G	150	150	150/320	320		550	320	
	L - G	150	150	150	320	550	550	320	320
	L - L	300	300	300/470	640	550	1100	640	640
Voltage Protection Rating (VPR)	L - N	700	700	700	1,200		1,800	1,200	
	N - G	700	700	700	1,000		1,800	1,000	
	L - G	700	700	700	1,000	1,800	1,800	1,000	1,200
	L - L	1,000	1,000	1,800	1,800	3,000	3,000	1,800	1,800
Operating Current (Ic)		<10 mA	<10 mA	<30 mA	<10 mA	<30 mA	<10 mA	<10 mA	<30 mA
Follow Current (If)		None							
Maximum Leakage Current (Ipe)		1 mA							
Maximum Fuse Rating		200 A, Class J							
Frequency (f)		50/60/400 Hz							
Nominal Discharge Current Per Mode (In)		20kA							
Maximum Discharge Current (Imax)		120kA–240kA Per Phase							
Short Circuit Current Rating (SCCR)		200kA							
EMI/RFI Filtering		1283 Electromagnetic Interference Filter (-40 dB)							
Thermal Disconnect		Internal to Each Component							
Overload Disconnect		Internal to Each Device							
Operating Temperature		-40 to +85°C							
Housing-Enclosure Material		NEMA 4X Polymer							
Mounting Type		Nipple/Wall Mounting by Screws (Not Included) or Flush Mount (Cover Not Included)							
Connection Type		Lead Length: 40" / #10 AWG							
Environmental Rating		NEMA 4X, IP65, IP66, Indoor/Outdoor							
Standards, Compliance or Recognition		UL 1449 5th Edition Type 1 Listed, UL Listed to US and Canadian Safety Standards							