

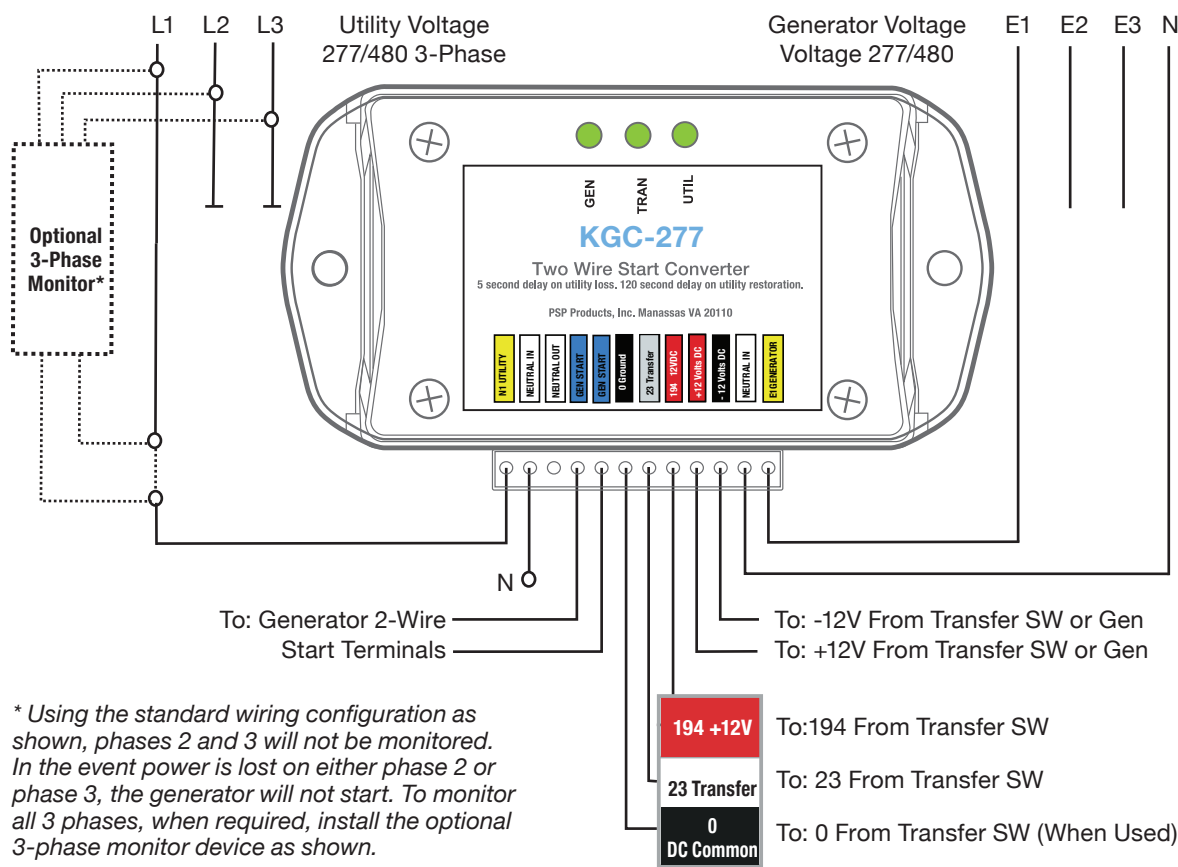
OPTIONAL DIGITAL TIMER (DTS-1) AVAILABLE

Installation Instructions

Disconnect power from generator and utility source and connect wires as shown.

Start-Up / Initial Test Procedure

At power-up the utility LED will illuminate. 1) Simulate utility outage, after 5 second delay generator start contacts will close and generator LED will illuminate when generator power is present. After 15 second delay, generator power will be transferred to the load. 2) Restore utility power, after a 2 minute delay power will transfer back to utility, after a 10 second delay the generator start contacts will open.



* Using the standard wiring configuration as shown, phases 2 and 3 will not be monitored. In the event power is lost on either phase 2 or phase 3, the generator will not start. To monitor all 3 phases, when required, install the optional 3-phase monitor device as shown.

5	10	Utility Return Transfer Timer Pins 3 & 4 & 5 Open = 120 Seconds Pins 3 & 4 Shorted = 30 Seconds Pins 4 & 5 Shorted + 600 Seconds Utility Loss Timer Pins 6 & 7 Open = 5 Seconds Pins 6 & 7 Shorted = 30 Seconds Generator Cool Down Timer Pins 8 & 9 & 10 Open = 10 Seconds Pins 8 & 9 Shorted = 300 Seconds Pins 9 & 10 Shorted + 600 Seconds <i>Use shorting pins provided if changes are required</i>
4	9	
3	8	
2	7	
1	6	
TIMERS		

Pre-Set Timers

The KGC-277 is factory pre-set as follows: 5 second utility loss delay before starting the generator, 15 second delay before transferring after generator voltage is detected and a 2 minute delay before switching back to utility after power is restored. The generator ON contacts will open 10 seconds after the power transfers back to utility.

Optional weekly exercise timer available - Consult factory



Important: Risk of electrical shock.
 This device should only be installed by qualified personnel.

For questions regarding delay adjustments, or installation please contact technical support: 703-687-4057