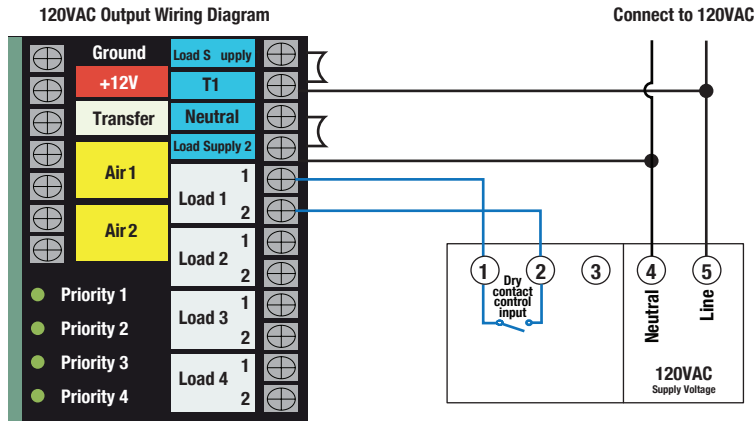


**IMPORTANT:**  
Magnetic relays require power to change state. There is also a delay of 20 seconds between cycles.

**IMPORTANT: Wiring pin to pin must match exact diagram below or damage to control board will occur.**



### Start Up & Testing Control

When power is initially connected to the 120 VAC input terminals the diagnostic LEDs will blink for 20 seconds and the relays will change state based on the condition of the input of pin 1 control board.

- Input voltage high 120/24VAC - relay(s) closed
- Input voltage 0 - relays open

The relay will remain in position state until the the input voltage changes.  
The relays will also open when 120V supply is lost.

