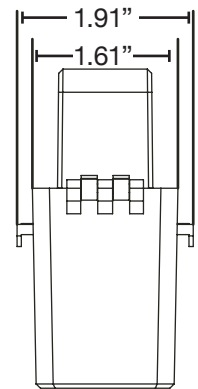
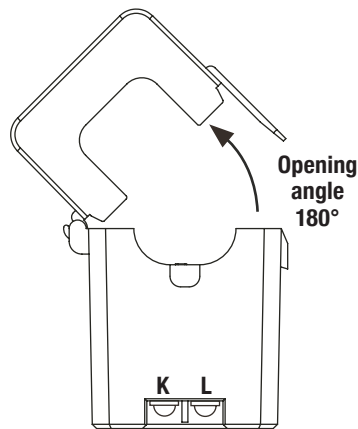
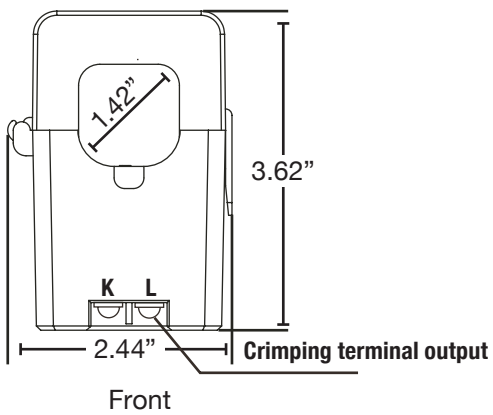


## 5VDC Output Split Core Current Transformer



### Features

- Hanging installation, Crimping terminal output
- Core material: Silicon steel sheet
- Rated input: 500A
- Fire resistance property: UL94-V0
- Operating voltage: 660VAC Max
- Operating temperature: -25°C to +60°C
- Storage temperature: -30°C to +90°C
- Frequency range: 50Hz–60Hz
- Dielectric strength: 3.5KV 50Hz 1min
- Max input: 100%(continuous)/150%(1min)
- Output ripple voltage: ≤5% output voltage
- Accuracy: ±2%
- Output impedance: 7k Ω
- Isolation impedance: >100MΩ(500VDC)



Side

