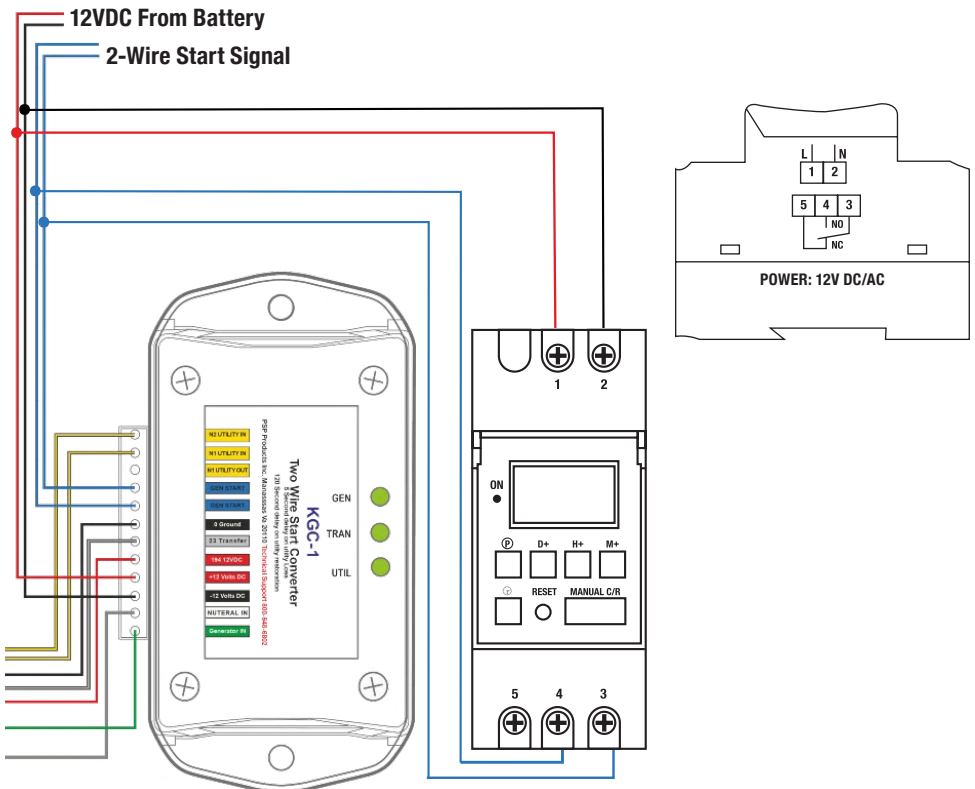


Technical Data

- Voltage rating: 12VDC
- Voltage limit: +10%
- Hysteresis: ≤ 2 sec/day (25°C)
- ON/OFF operation: 16 ON & 16 OFF
- Power consumption: 7.5VA (max)
- LCD display
- Switching contact: 1 changeover switch
- Power reserve: 3 years (lithium battery)
- Minimum interval: 1 minute
- Ambient temperature: -10~+40°C
- Weight: approx 150g
- Ambient humidity: 35-85% RH

INSTALLATION NOTES

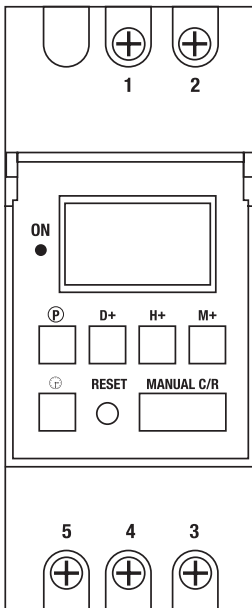
Connections 3,4 & 5 orientation can vary depending on production runs. Always attach start wires to **NORMALLY OPEN** terminals per the diagram on the actual timer received



Programming Instructions

To start timer, press the reset key.

1. For the first time use of the timer, set the time. Press the ⌚ key, then press D+, H+ and M+ to set to the current time.
2. For first time use of this timer, please press reset key.



Step	Key	Programming
1	Press P	First setting ON time (display 1 on)
2	Press H+/M+	Set hours and minutes
3	Press D+	Select same everyday, different everyday, MO-FR, MO-SA, SA-SU, MO WE FR, TU TH SA, MO-WE, TH-SA. (If same everyday, no need to press this key)
4	Press P	First setting OFF time (display 1 off)
5	Press H+/M+	Set hours and minutes turn off time
6	Press D+	If you want the same setting everyday, no need to press this key
7	Repeat step 1-6	Set 2-16 on/off time

**If you don't need 16 settings, press, ⌚ key to end.*



Important: Risk of electrical shock. This device should only be installed by qualified personnel.

Technical Assistance: 703-687-4057

PSP Products | 8618 Phoenix Drive, Manassas, VA 20110
 pspproducts.com | 703.687.4057 | sales@pspproducts.com