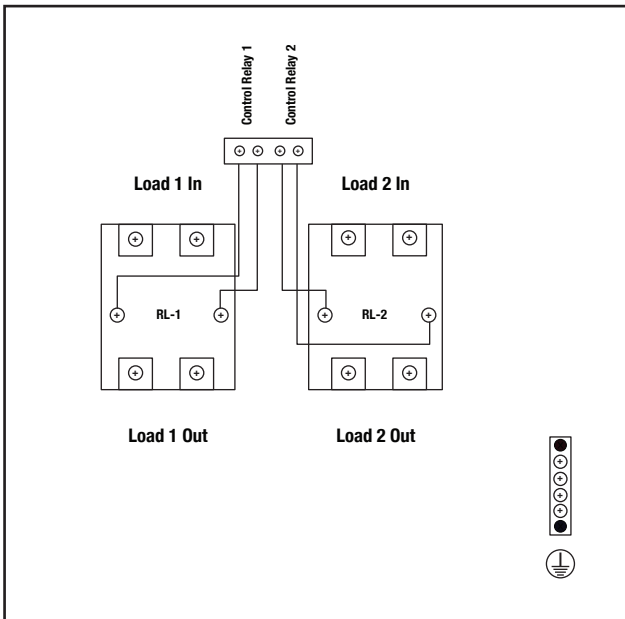


## Installation Wiring Diagram Models LS051X1EX, LS051X2EX, LS051X3EX, LS051X4EX Two, Three or Four Relay Panels

### Wiring for 1-4 relay models with enclosure



1. Input and output terminals blocks 1 and 2 torque to 35 in lbs 75° C wire only
2. Control terminals blocks torque to 5-7 in lbs W93° C 14 gauge wire only
3. Ground terminals blocks to be torque to 35 in lbs
4. Ground terminals blocks to be torque to 35 in lbs

### VA Requirements

Holding VA	In-Rush VA
10 VA	20 VA

***Important Note: Branch circuit fusing and disconnect to be provided based on local and N,E.C. standards.***

**Technical Assistance Call: 703-687-4057**  
 Register Online at: [www.pspproducts.com](http://www.pspproducts.com)



**Important: Risk of electrical shock. This device should only be installed by qualified personnel.**