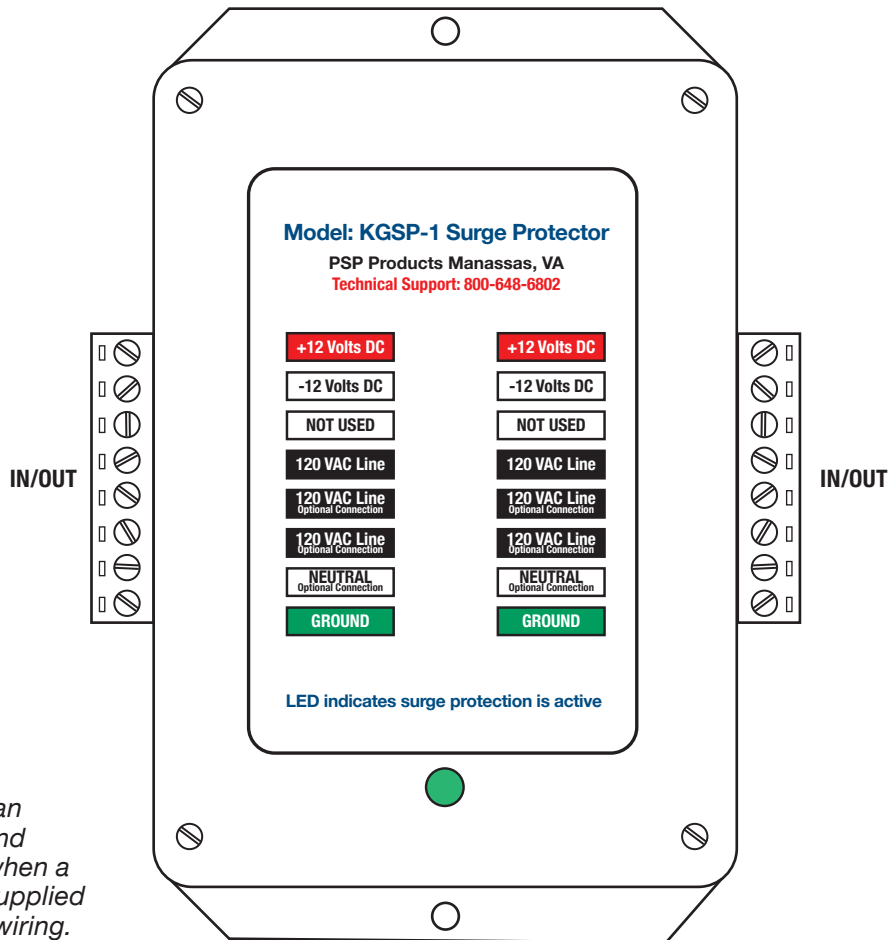


Installation Instructions

IMPORTANT!

Use wire size 12 AWG for ground connection. Ground wire should be less than 24” in length. LED indicator indicates ALL-AC and DC modes of surge protection are active. LED will extinguish if 1 or more of the AC or DC modes of surge protection becomes inactive. LED will not illuminate if ground wire is not connected or 120 Volt AC must be connected to the 120 VAC Line terminal that is NOT marked Optional for diagnostic LED to operate.



Note : Neutral wire is an optional connection and should only be used when a neutral conductor is supplied as part of the control wiring.

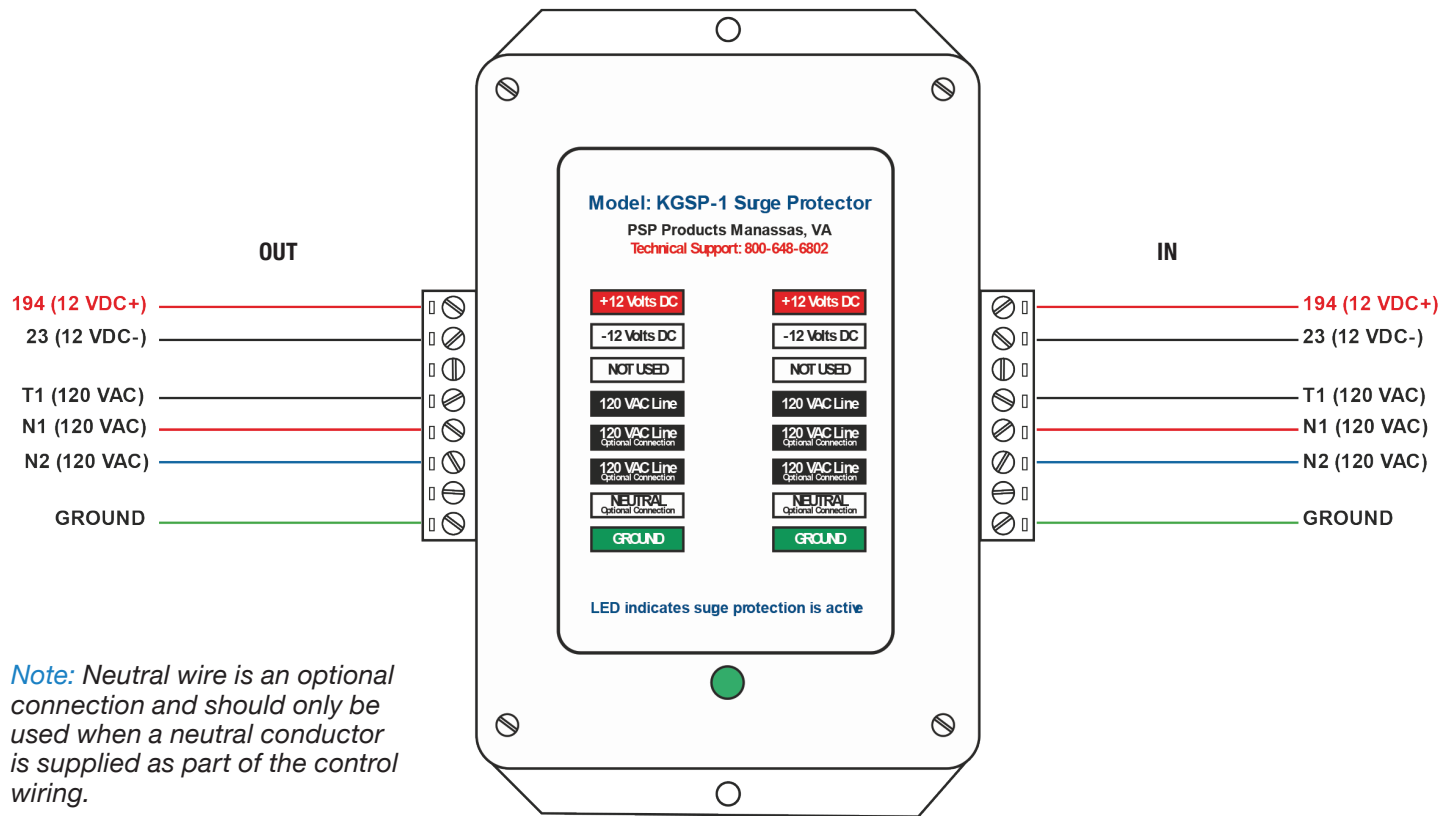
Technical Assistance Call: 703-687-4057
 Register Online at: www.pspproducts.com

 **Important: Risk of electrical shock. This device should only be installed by qualified personnel.**

Installation Instructions - Generac®

IMPORTANT!

Use wire size 12 AWG for ground connection. Ground wire should be less than 24” in length. LED indicator indicates ALL-AC and DC modes of surge protection are active. LED will extinguish if 1 or more of the AC or DC modes of surge protection becomes inactive. LED will not illuminate if ground wire is not connected or 120 Volt AC must be connected to the 120 VAC Line terminal that is NOT marked optional for diagnostic LED to operate.



Technical Assistance Call: 703-687-4057

Register Online at: www.pspproducts.com



Important: Risk of electrical shock. This device should only be installed by qualified personnel.