

Three Phase Kohler® RXT Transfer Switch Expander

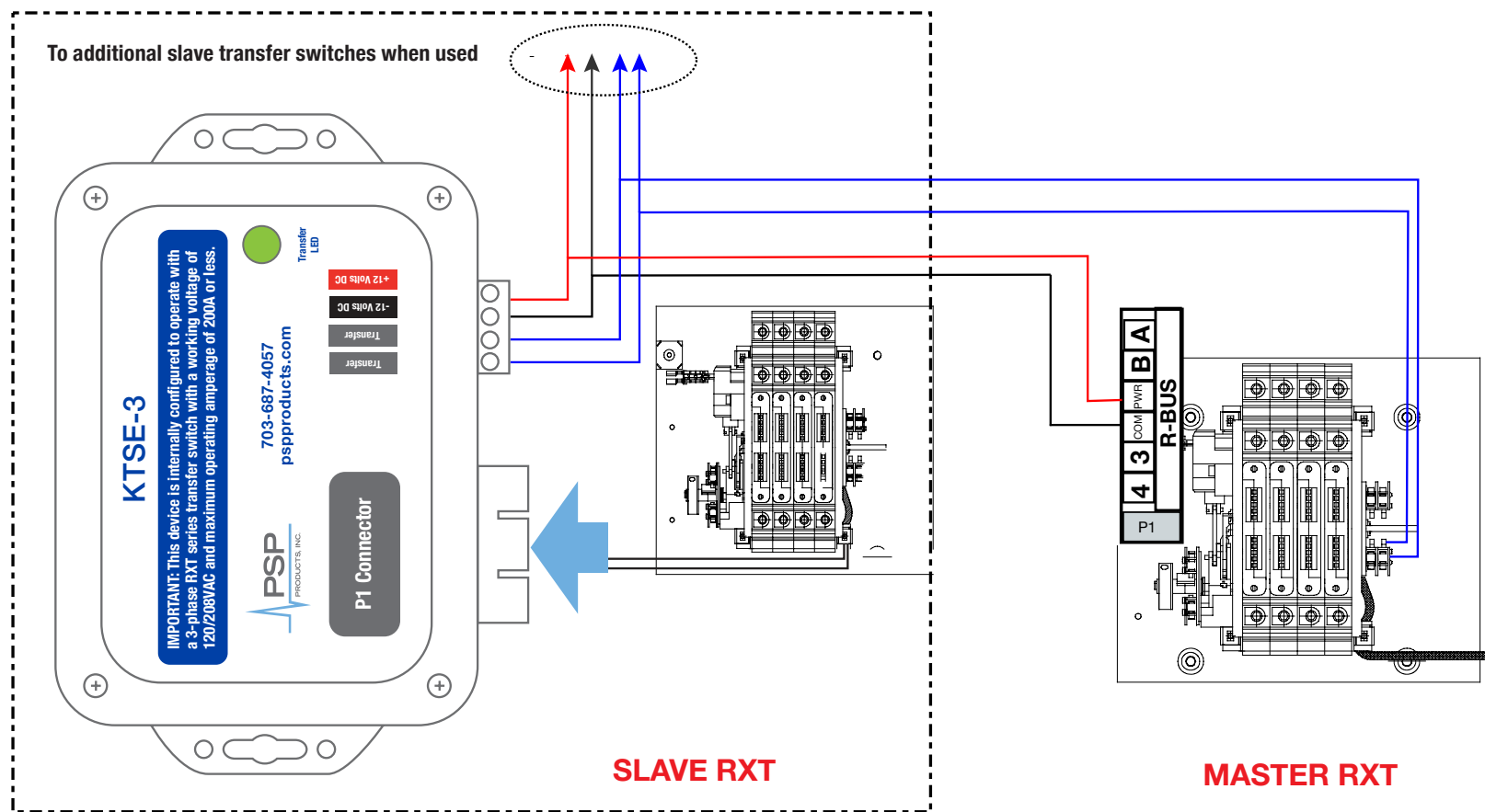
Installation Instructions

Remove connector P-1 and remove RXT control board. Insert connector P-1 plug into KTSE-3 Expander Module and attached to side panel of enclosure.

Connecting to the Master Transfer Switch

Connect the master transfer switch in the normal manner as documented in manufacturers installation manual (normal connections not shown on this diagram). Connect +12 and -12 volts DC from master transfer switch control board and connect to KTSE-3 +12 and -12 terminals as marked. Connect the two transfer terminals on KTSE-3 to the lower outside auxiliary switch to the common and normally open terminal connections.

IMPORTANT: do not use any limit switches that are not clearly identified as auxiliary contact switches. Contact PSP technical support should you encounter any circumstances other than those shown in the installation instructions.



Technical Assistance: 703-687-4057

Important: Risk of electrical shock.

This device should only be installed by qualified personnel.