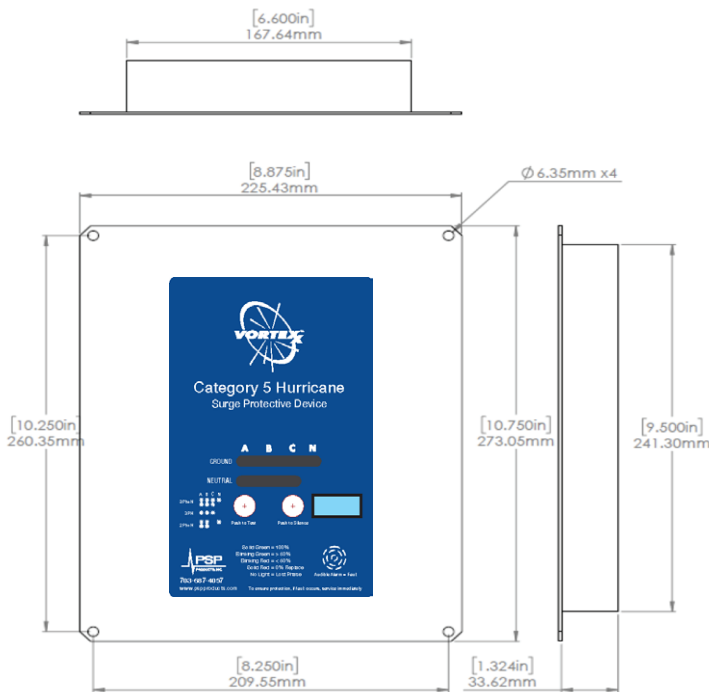


Service Entrance and Panel Surge Protector

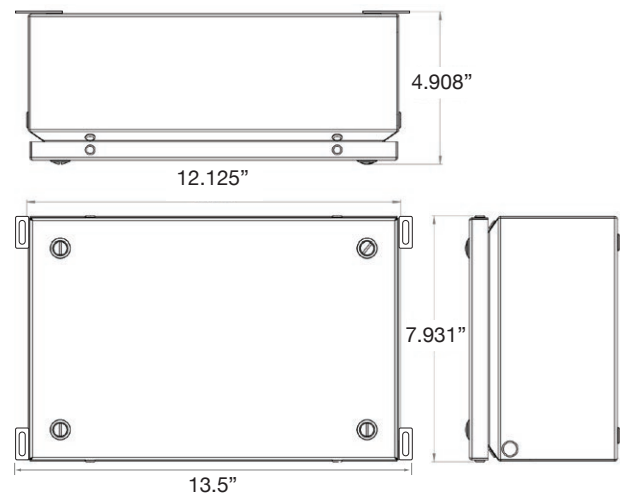


Features

- I_{max}: 200-400kA per phase
- I_n: 20kA
- Thermally fused metal oxide varistor (TFMOV) suppression
- Real-time LED indicators, audible alarm with silence remote contacts, push to test & surge counter with reset
- Sine wave tracking
- EMI/RFI noise filtration (-40db)
- Field replaceable modules
- NEMA 4 (IP66) indoor/outdoor rated steel enclosure
- 10 year warranty



Remote Display



Surge Enclosure

Part Number Breakdown

C5H(#)-(###)-4M-RDU

- **Surge Rating Identifier:** 200=200kA/phase, 400=400kA/phase
- **Voltage Identifier:** 1=120/240 1-phase, 2=120/208 3-phase Wye, 4=277/480 3-phase Wye, 5=480 3-phase delta, 8=220/380 3-phase Wye, 9=240 3-phase delta

Description		C5H1	C5H2	C5H4	C5H8	C5H9
System Voltage	VAC	120/240	120/208	277/480	220/380	240
System Wiring		3W+G (1-Phase Wye)	4W+G (3-Phase Wye)	4W+G (3-Phase Wye)	4W+G (3-Phase Wye)	3W+G (3-Phase Delta)
Maximum Operating Voltage (MCOV)	L-N	150	150	420	300	
	N-G	150	150	275	300	
	L-G	150	150	420	300	300
	L-L	300	300	540	600	300
Voltage Protection Rating (VPR)	L-N	700	700	1,500	900	
	N-G	800	800	1,200	1,200	
	L-G	800	800	1,500	1,200	1,200
	L-L	1,200	1,200	2,500	1,500	1,500
Remote Signal Indicator		250VAC Max 2A				
Follow Current (If)		None				
Maximum Leakage Current (Ipe)		1 mA				
Frequency (f)		50/60/400 Hz				
Nominal Discharge Current Per Mode (In)		20kA				
Maximum Discharge Current (Imax)		200kA–400kA (Depending on Model)				
Short Circuit Current Rating (SCCR)		200kA				
EMI/RFI Filtering		1283 Electromagnetic Interference Filter (-40 dB)				
Thermal Disconnecter		Internal to Each Component				
Overload Disconnecter		Internal to Each Device				
Operating Temperature		-40 to +85°C				
Housing-Enclosure Material		NEMA 4				
Mounting Type		Wall Mount				
Environmental Rating		NEMA 4/12, IP66, Indoor/Outdoor				
Connection Type		Lead Length: 36" / #10 AWG				
Standards Compliance or Recognition		IEC 61643-1- International: Class I & II EN 61643-11- Europe: Class I & II NF EN 61643-11- France: Class I & II CSA C22.2 N o. 8-M 1986: Class 9091 32, Class 9091 92 RoHS: Directive 2002 /95/EC UL 1449 5th Edition Type 1 Listed, UL Listed to US and Canadian Safety Standards UL96A Compliant				